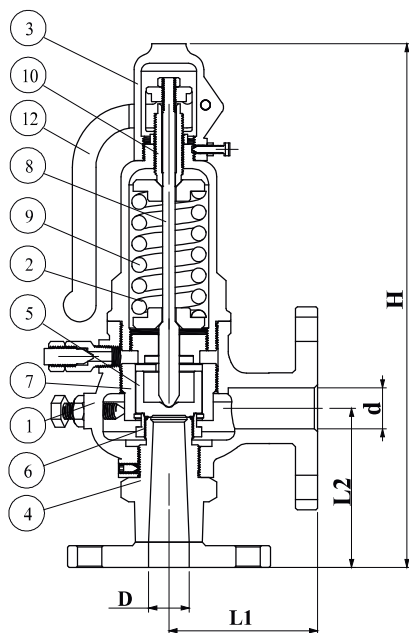
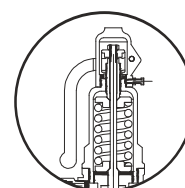


## Full Bore Safety Valve

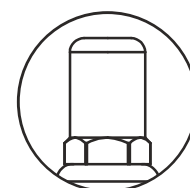
- Size: 1"(DN25) to 6"(DN150)
- Working Pressure: 0.3 to 40 bar
- Working Temp.: -5°C to 300°C
- Connection Standard: ANSI/JIS/PN.....etc.



**HSK30**



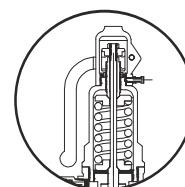
**HSK30**



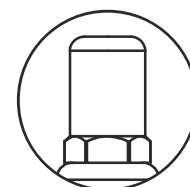
**HSK39**



**HSK40**



**HSK40**



**HSK49**

ITEM	PARTS	MATERIAL			
		HSK30	HSK39	HSK40	HSK49
1	BODY		FC20 / SS304 / WCB		
2	BONNET		FC20 / SS304 / WCB		
3	CAP		FC20 / SS304 / WCB		
4	BODY SEAT		SS304		
5	VALVE DISC		SS304		
6	LOWER RING		SS304		
7	UPPER RING		BSBM / SS304		
8	STEM		SS304		
9	SPRING		SUP6 / SS304		
10	ADJUSTING SCREW		SS410 / SS304		
11	ROOTSCREW		SS310 / SS304		
12	LEVER	WCB / SS304	-	WCB / SS304	-

DIMENSIONS (MM)											
P1 INLET	P2 OUTLET	D ORIFICE DIAMETER	A ORIFICE AREA (MM²)	HSK30/HSK39				HSK40/HSK49			
				LIFT	L1	L2	H	LIFT	L1	L2	H
3/4"	1"	15	176.6	3.8	50	77	273	-	-	-	-
3/4"	1 1/4"	19	283.4	5	64	87	322	-	-	-	-
1 1/2"	2"	30	706.5	7.5	71	113	405	-	-	-	-
2"	2 1/2"	38	1133.5	9.5	85	125	450	-	-	-	-
1"	1 1/2"	19	283.3	-	-	-	-	5	105	95	225
1 1/2"	2 1/2"	30	706.5	-	-	-	-	7.5	125	120	290
2"	3"	38	1133.5	-	-	-	-	9.5	135	125	340
2 1/2"	4"	49	1884.7	-	-	-	-	12.5	155	140	395
3"	5"	61	2920.9	-	-	-	-	15.5	175	160	480
4"	6"	76	4534.1	-	-	-	-	19	205	180	555
5"	8"	95	7084.6	-	-	-	-	24	225	210	685
6"	8"	115	10381.6	-	-	-	-	29	255	220	815